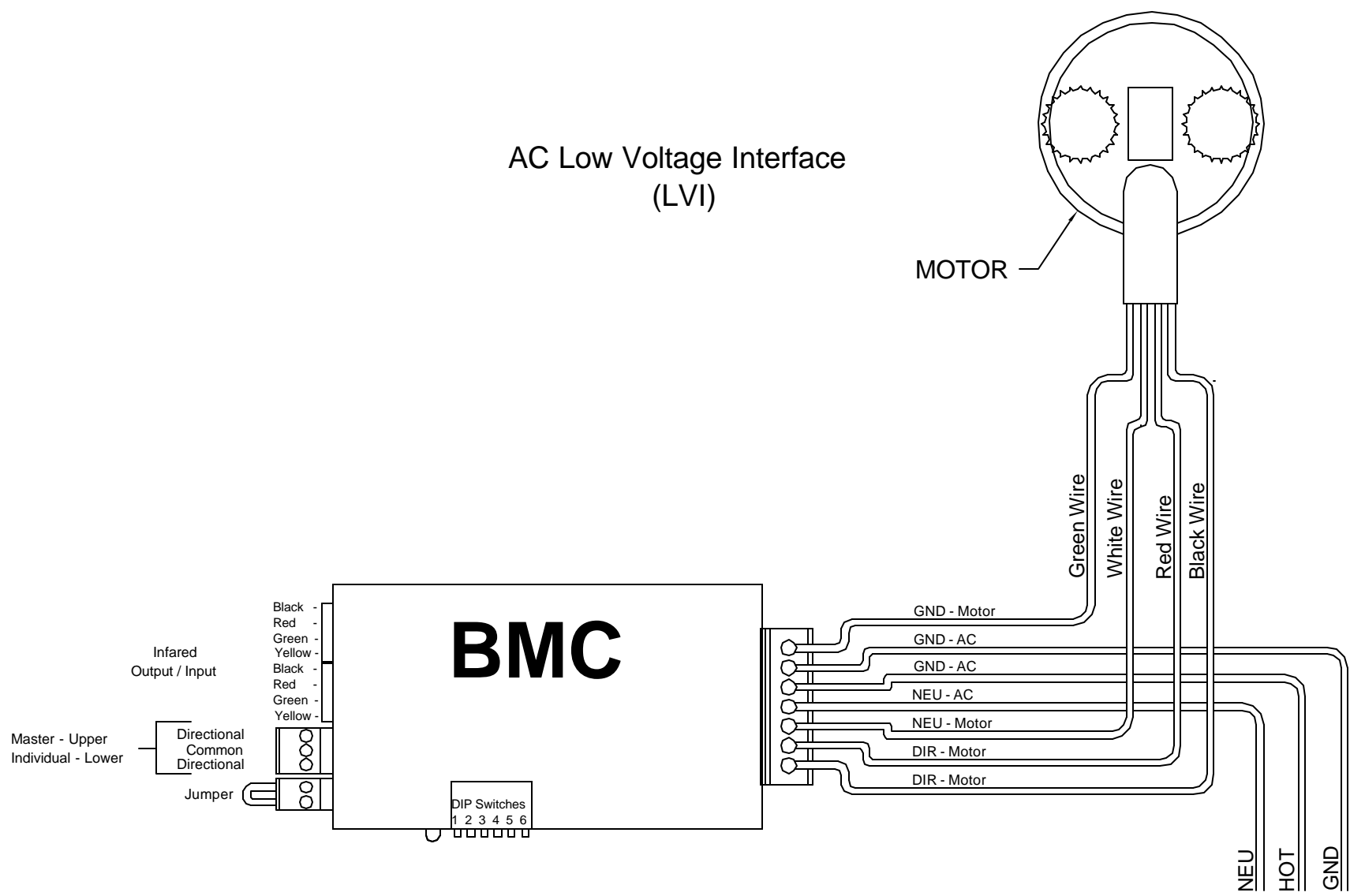


AC Low Voltage Interface (LVI)



AC POWER

CONFIDENTIAL All information disclosed in this document is proprietary to BTX Window Automation. Holder agrees to maintain it in confidence and must not replicate or reveal this information in any manner.	Project	SWITCHES	
	Dim	INCHES	
		Tolerances	
		XX ± .015	XXX ± .005
By: G. BENNETT		Date: 20-FEB-00	Scale: NTS
Title		AC LOW VOLTAGE INTERFACE WIRING DIAGRAM	
Size		A	Matl:
Dwg No:		LVI	
Rev		of 1	
BTX™		BTX Window Automation 10800 Alder Creek Dallas, Texas 75224 (214) 343-9890 (214) 343-3444 FAX	